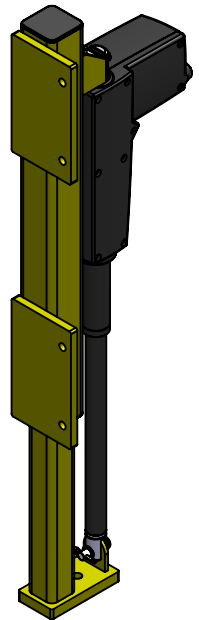
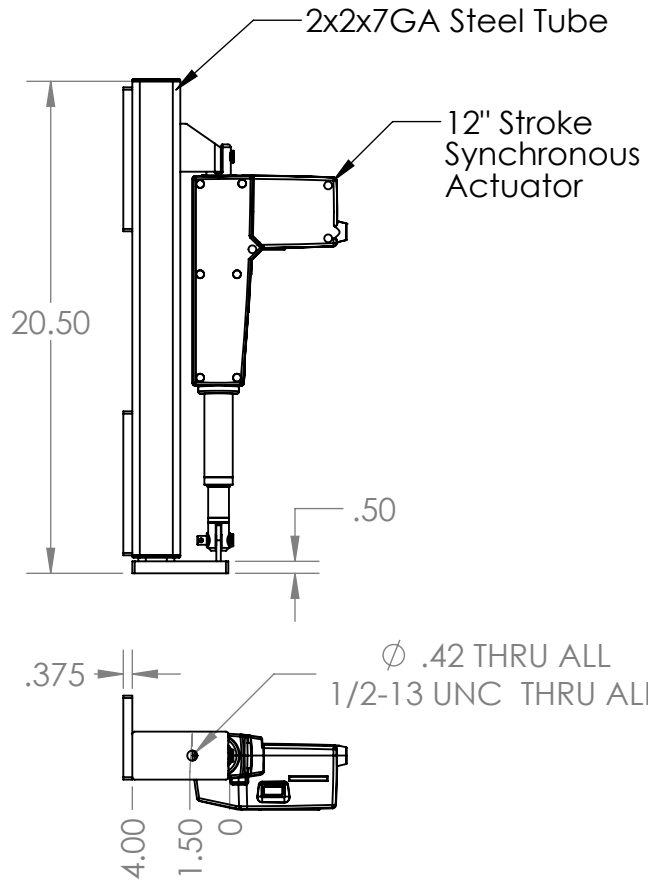
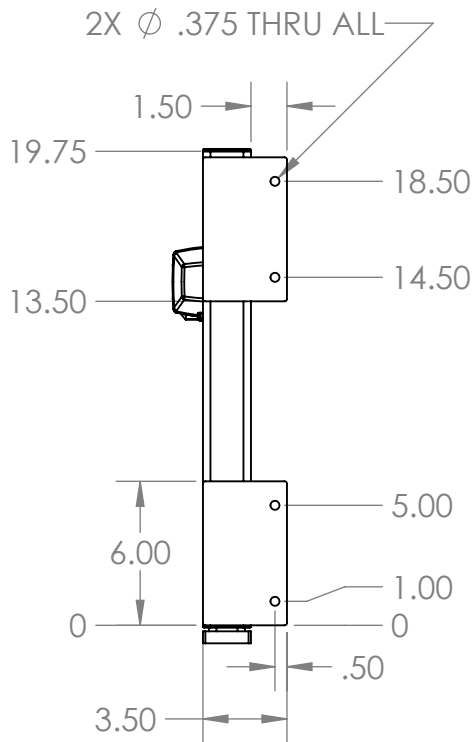
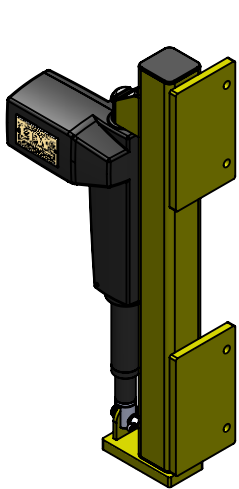


REVISIONS			
REV.	DESCRIPTION	DATE	APPROVED



LTW PART NUMBERS

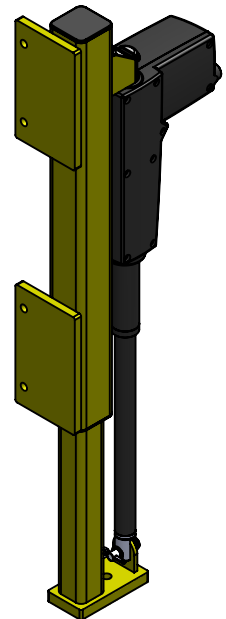
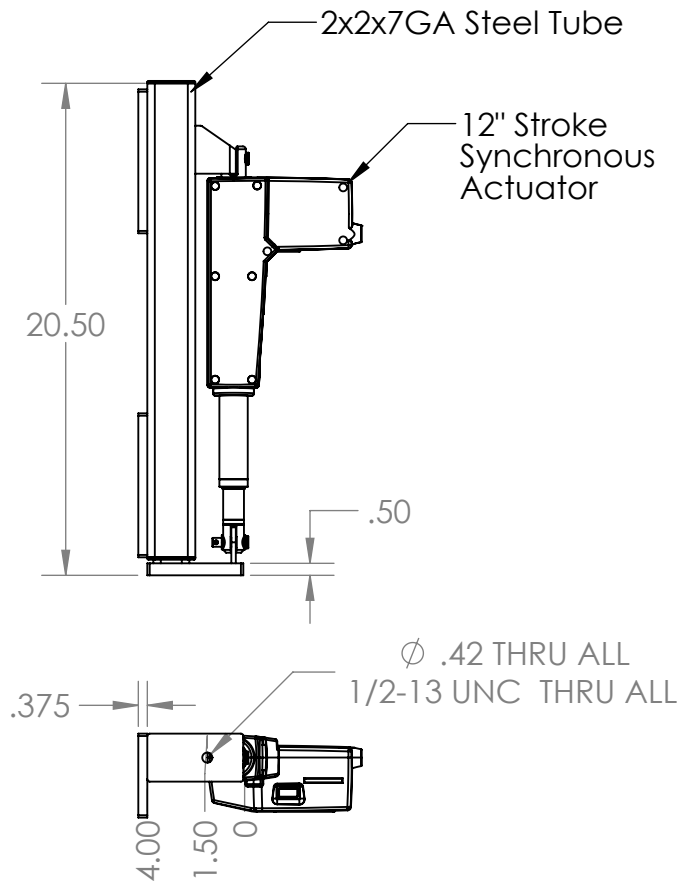
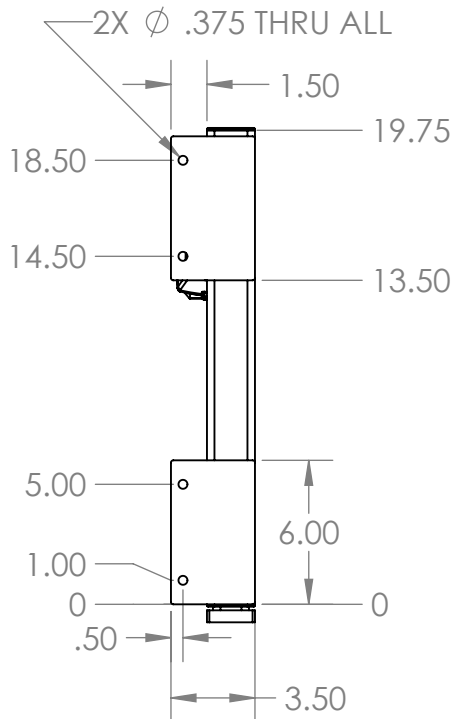
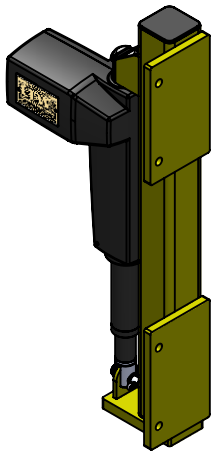
BLACK (GLOSS)	BLACK (MATTE)	BLUE	WHITE	YELLOW
EP-8LH-BK9005	EP-8LH-BK30812	EP-8LH-BE5005	EP-8LH-WE9003	EP-8LH-YW1003

QTY: 2/Set of 4	MATERIAL: 2x2x7GA Steel Tubing	FINISH: Powder Coat (See Color Chart Above)	NOTES: Actuator Stroke: 225mm
-----------------	--------------------------------	---	-------------------------------

<p>THIRD ANGLE PROJECTION</p>	<p>UNLESS OTHERWISE SPECIFIED ALL DRAWING UNITS ARE IN INCHES: UNLESS OTHERWISE NOTED ALL TOLERANCES:</p> <p>ANGULAR: ± X.X° TWO PLACE DECIMAL: ± X.XX THREE PLACE DECIMAL: ± X.XXX</p>	<p>INTERPRET DRAWING DETAILS PER ASME Y14.5M-1984</p>	<p>PART DESCRIPTION: E4 Ergo Pillar-8" LH (Left Hand)</p>	<p>www.LTWI.com ©2018 LTW, Inc.</p>
		<p>DOCUMENT UNCONTROLLED IF PRINTED</p>	<p>PART NUMBER: EP-8LH-(SEE COLOR PN ABOVE)</p>	

DO NOT SCALE DRAWING	THE INFORMATION CONTAINED IN THIS DRAWING IS THE SOLE PROPERTY OF, AND CONFIDENTIAL TO LTW. ANY REPRODUCTION IN PART OR AS A WHOLE WITHOUT THE WRITTEN PERMISSION OF LTW IS PROHIBITED.	DRAWN: JSL	DATE: 4-11-18	APPROVED BY:	APPROVED DATE:	REV:	SIZE: A	SCALE: 1:8	SHEET 3 OF 5
----------------------	---	-------------------	---------------	--------------	----------------	------	----------------	------------	--------------

REVISIONS			
REV.	DESCRIPTION	DATE	APPROVED



LTW PART NUMBERS

BLACK (GLOSS)	BLACK (MATTE)	BLUE	WHITE	YELLOW
EP-8RH-BK9005	EP-8RH-BK30812	EP-8RH-BE5005	EP-8RH-WE9003	EP-8RH-YW1003

QTY: 2/Set of 4	MATERIAL: 2x2x7GA Steel Tubing	FINISH: Powder Coat (See Color Chart Above)	NOTES: Actuator Stroke: 225mm
-----------------	--------------------------------	---	-------------------------------

<p>THIRD ANGLE PROJECTION</p>	<p>UNLESS OTHERWISE SPECIFIED ALL DRAWING UNITS ARE IN INCHES: UNLESS OTHERWISE NOTED ALL TOLERANCES:</p> <p>ANGULAR: ± X.X° TWO PLACE DECIMAL: ± X.XX THREE PLACE DECIMAL: ± X.XXX</p>	<p>INTERPRET DRAWING DETAILS PER ASME Y14.5M-1984</p>	<p>PART DESCRIPTION: E4 Ergo Pillar-8" RH (Right Hand)</p>	<p>www.LTWI.com ©2018 LTW, Inc.</p>
		<p>DOCUMENT UNCONTROLLED IF PRINTED</p>	<p>PART NUMBER: EP-8RH-(SEE COLOR PN ABOVE)</p>	

DO NOT SCALE DRAWING	THE INFORMATION CONTAINED IN THIS DRAWING IS THE SOLE PROPERTY OF, AND CONFIDENTIAL TO LTW. ANY REPRODUCTION IN PART OR AS A WHOLE WITHOUT THE WRITTEN PERMISSION OF LTW IS PROHIBITED.	DRAWN: JSL	DATE: 4-11-18	APPROVED BY:	APPROVED DATE:	REV:	SIZE: A	SCALE: 1:8	SHEET 4 OF 5
----------------------	---	-------------------	---------------	--------------	----------------	------	----------------	------------	--------------